

# Airpura

AIR PURIFIERS

# V600

Specific Chemicals - VOCs

## *Trap Specific Airborne Chemicals - VOCs - as well as Particles*

### The Airpura V600

Traps specific airborne chemicals - VOCs - with enhanced, impregnated, activated carbon as well as particles with its true HEPA filter

Modern interiors release harmful chemicals

Formaldehyde from furniture, carpets

Ammonias from cleaning materials

Pesticides tracked in from outdoors

Benezene, toulene from heating fuels, paints and glues

Airborne chemicals in work areas

Work areas are often contaminated by chemicals released by manufacturing processes and office equipment. The resulting symptoms which may include headaches, drowsiness, rhinitis, other respiratory problems and the possible onset of cancers

A good investment

An enhanced chemical filtering system is a good investment to prevent the personal distress and productivity losses that may result

Ask our air quality experts

Airpura can recommend specially blended carbons to deal with your specific airborne chemical problem. Solutions for over 4000 chemicals are available

Effective for up to 2000 square feet

Recycles the air approximately every 30 minutes



### *The Airpura V600*

Available in

White / Black / Cream

Airpura Limited Warranty

5 years parts 10 years labor

### **Long Lasting Filters**

**Carbon filters** typically last up to 2 years depending on use

**Hepa filters** typically last up to 5 years in regular use.

**Pre-filters** can be vacuumed from the exterior of the unit and should be changed every 12 months depending on use

***Protect yourself from harmful airborne chemicals and VOCs***

# Airpura

## AIR PURIFIERS

# V600

Specific Chemicals - VOCs

### Technical Specifications

#### Odor, airborne chemical control

18 lbs enhanced, activated carbon 13" x 13" x 9"

#### Carbon bed

570 sq in x 2" deep

#### Particle removal

40 sq ft true HEPA (Measured 1 side only)  
10 pleats per inch  
Pleats warm rolled with separators

#### Air Flow 560 cfm

More cfm than any other home unit available

#### Pre-filter

570 sq in x 1in deep

#### Size

23" x 15"

#### Weight

45lbs total

#### Voltage Options

115 or 220 volts

#### Watts

120 on high  
40 on low

#### Sound Level

28.1 db on low (at 6 feet)  
62.3 db on high (560 cfm)  
(Room level 25.1 db)

#### ETL Certified

Conforms to  
CSA C22.2 no 113  
ANSI / UL 507

Your **Airpura** Dealer

### Unique Features

- Pressure seal Airpura's unique pressure seal on the filter chamber ensures that all of the dirty air passes through the filters. Other systems allow leakage and do not achieve the 99.97% HEPA filtration rating
- Felt gaskets seal the filter chamber. Maximize filtration with no rubber off-gassing found with other makes
- All metal housing ensures no plastic vapors are emitted
- Backward curved motorized impeller eliminates the vibrations and noise associated with older motor and shaft set ups
- Variable speed motor lets you choose your ideal level of filtration
- Motor out of the air flow. Most air purifiers blow the clean air over the motor and pick up new impurities before exhausting it
- Unimpeded airflow simple and direct internal airflow avoids the air turbulence, inefficiency and noise associated with more convoluted systems
- Separate electrical parts chamber prevents any off gassing from capacitors, condensers or switches.
- Perforated steel exterior offers both a softer appearance and 360 degree air intake and distribution.
- Separately changeable filters The Hepa and carbon filters can be changed separately so you only change them when appropriate and save operating costs

### Advanced Chemical Filtration System

#### Enhanced Impregnated Carbon filter

Absorbs VOCs and specific airborne chemicals

#### 2 MicroSuppress filters

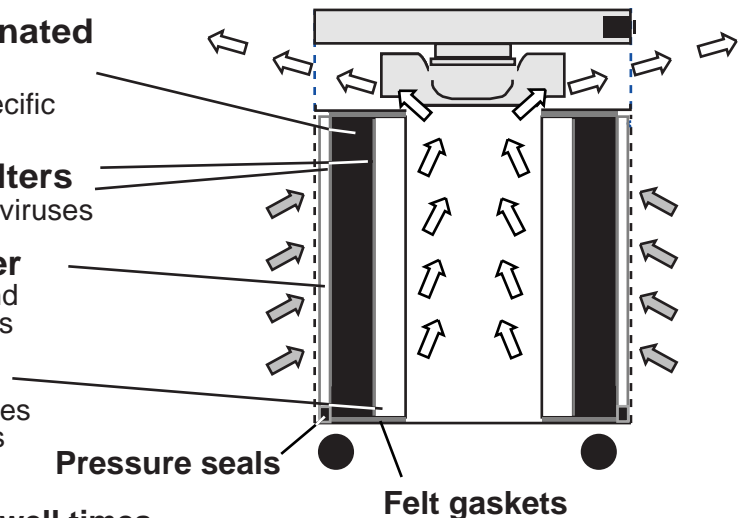
Suppress bacteria and viruses

#### Cleanable pre-filter

Vacuum through grill and change every 12 months

#### HEPA filter

Traps 99.97% of particles as small as 0.3 microns



#### The importance of dwell times

for effective chemical and gas adsorption a deep carbon bed is important. Many systems offer 1" or less. The Airpura V600 has a 2" deep bed for effective filtration.

#### True HEPA Filters

Developed by the atomic energy commission to filter radio active particles as small as 0.3 microns

#### Enhanced Carbon

Premium quality activated carbon that has been specially treated to deal with specific chemicals especially VOCs